

High Resolution

43.75 μ m



More Accessible

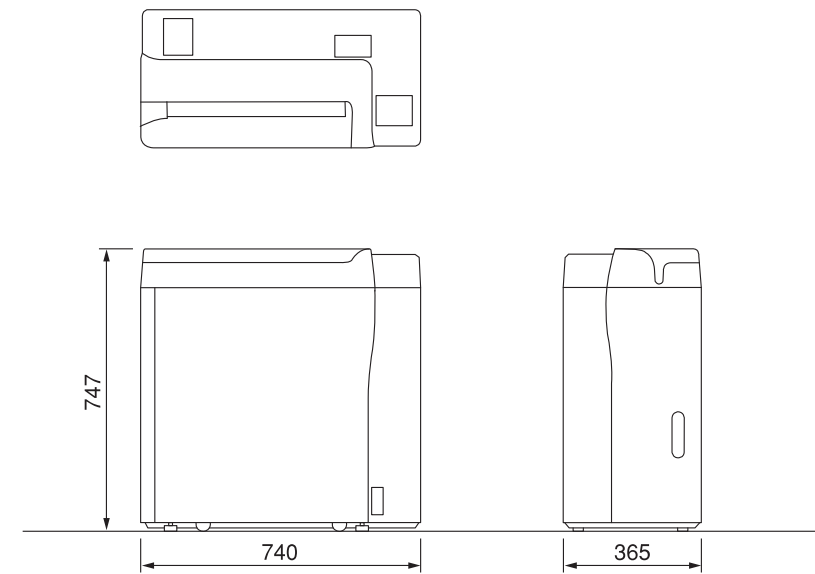
- Sophisticated, exquisite form.
- Space-saving design in a compact size.
- Sufficient throughput for higher department efficiency.
- Dramatically evolved new Regius maintaining high-quality diagnostic images.
- A CR that is this accessible is hard to find.

Direct Digitizer REGIUS MODEL 110 HQ

- Cassette Size**
14 x 17" / 14 x 14" / 11 x 14" / 10 x 12" / 8 x 10" 18 x
24cm / 24 x 30cm / 15 x 30cm
- Sampling Pitch** 43.75 μ m* /
87.5 μ m / 175 μ m
- Maximum Resolution**
5440 x 6776 (24 x 30cm / 43.75 μ m)
4020 x 4892 (14 x 17" / 87.5 μ m)
- Digital Gradation Level**
4096 levels (12 bit)
- Processing Capacity**
up to 80 plates / hour (14 x 14" / 175 μ m)
up to 60 plates / hour (14 x 17" / 87.5 μ m)
- Outer Dimensions / Weight**
W740 x D365 x H747mm / approx. 100kg
- Power Consumption**
AC 100 / 110 / 115 / 120 / 200 / 220 / 230 / 240 V \pm 10%
50 / 60 Hz approx. 0.8kVA
- Operating Conditions**
Temperature : 14 - 30 °C
Humidity : 35 - 80%RH (no condensation)

* Optional License

REGIUS MODEL 110 HQ Outer Dimensions



Unit : mm 1/20 scaled

★ Specifications are subject to change without prior notice.



KONICA MINOLTA

KONICA MINOLTA BUSINESS SOLUTIONS EUROPE GMBH
Hoogoorddreef 9, 1101BA Amsterdam, the Netherlands
www.konicaminolta.eu/healthcare

Distributed by :



KONICA MINOLTA

DIRECT DIGITIZER

REGIUS MODEL 110 HQ

HIGH QUALITY and MAMMOGRAPHY



Giving Shape to Ideas

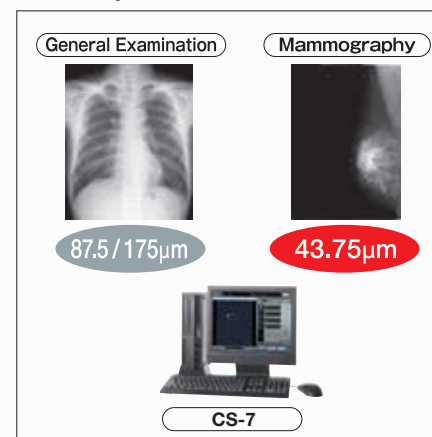
SLIM & COMPACT

On the very day of introduction, a new workflow starts.
It is the beginning of a clean, comfortable,
human- and environment-friendly
new life without having to work in a darkroom,
exchange chemical waste, or clean the process tank.



Compact and space saving REGIUS MODEL 110 HQ supports a high resolution read function for mammography.

■ 43.75µm Read Function

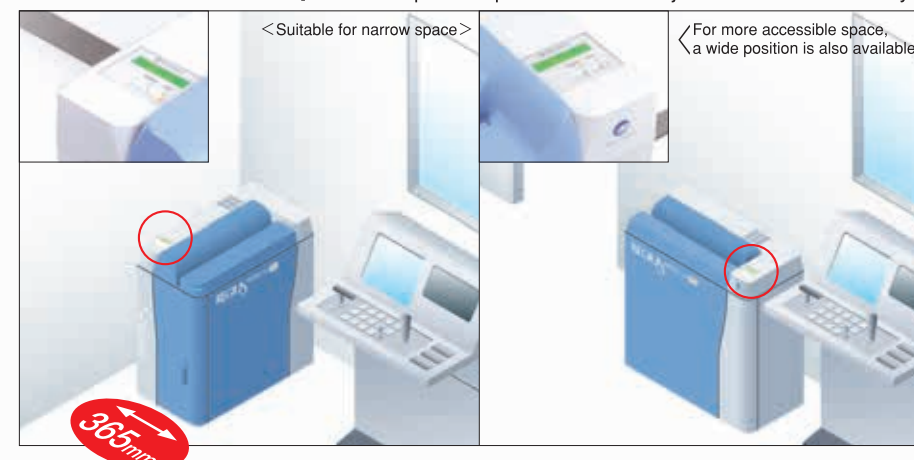


43.75 µm read capacity for mammography

In addition to previous 175 and 87.5µm read capacity, a new 43.75µm* read function for mammography has been added. In mammography, highly valuable images are now available with higher resolution. Furthermore, even higher resolution imaging has been achieved by employing C-PLATE for mammography with excellent sharpness and granularity. Mammography cassettes can be handled in the same manner as for previous standard cassettes, providing the same workflow.

* 43.75µm read function is an Optional License

■ Flexible Placement Options



Compact Design with the Smallest Depth of 365mm

The Regius Model 110 HQ features an astonishingly compact design with a footprint of only 0.27m². The two-way setting method allows selection of two patterns of layout, offering a perfect space saving design. These proposals prove that we truly understand customer needs.



Compact

The Regius Model 110 HQ delivers processing performance of 80 cassettes / hour. This is the smallest, top-of-the-line Regius model with both compact design and high performance.



Entirely Simple, Comfortable Operability

The Regius Model 110 HQ allows for easy operation with the simple placing of an exposed cassette. The height of the slot is 710 mm. Easy cassette insertion is achieved. Continue to use existing cassettes as exposure cassettes. Optional Stitching functionality is supported (max. 14 x 51" cassette), using transfer plates/ cassettes for reading.

*Cassettes & plates produced after April 2004 should be used.

CS-7 Console

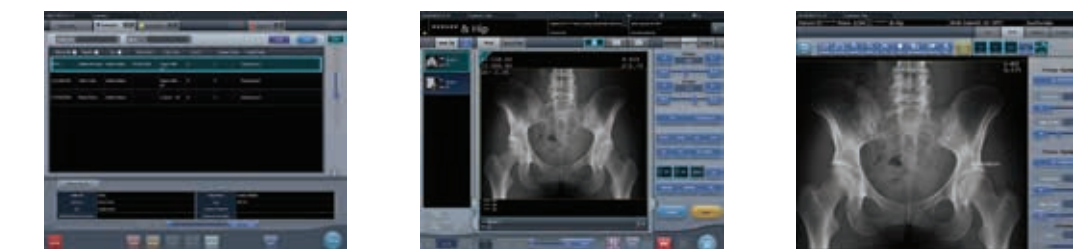


Quick preview, user-friendly interface

Konica Minolta's CS-7 Console provides a simple and user-friendly interface for complete workflow control: from acquiring patient data to image optimization, CS-7 guarantees the operator comfort, flexibility and efficiency in their daily workflow.

The console is equipped with a user tool that gives complete freedom in customising image settings. CS-7 is highly regarded for its intuitiveness and simplicity; all menu items can be selected quickly and easily via touch screen or mouse control.

Furthermore, the CS-7 Console provides real-time image transmission from the CR reader. The image will be displayed during the scan process, which allows for quick previewing. The powerful image optimization processes Gradation and Frequency Processing are available, as well as Konica Minolta's 'Hybrid Processing' for body part-specific image optimization, thus ensuring radiographs of the highest quality.



H I G H - Q U A L I T Y